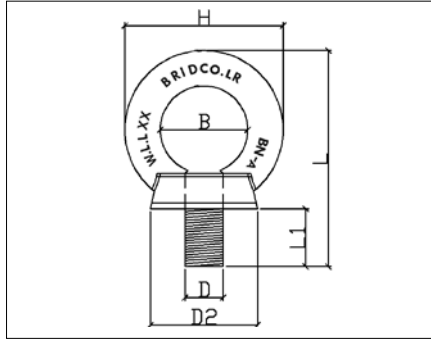


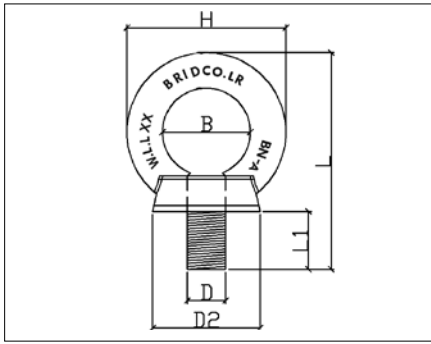
LOAD RATED EYE BOLTS



Drop Forged 316 Stainless Steel

LOAD RATED EYE BOLTS AISI 316

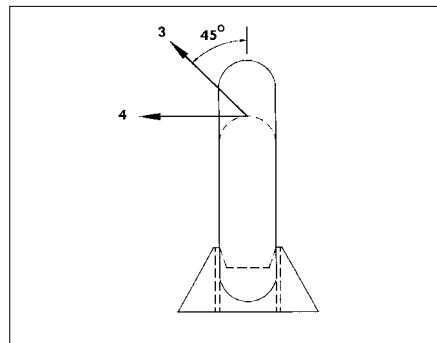
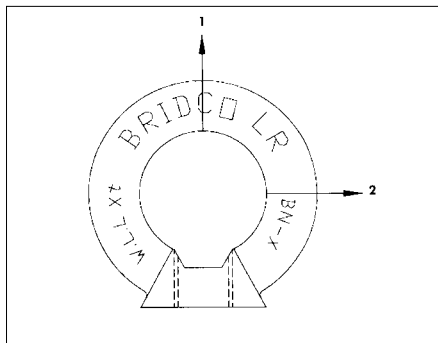
CODE	A mm	C mm	D mm	D2 mm	H mm	L mm	L1 mm	WORKING LOAD LIMIT
SS-580-12LR	30.00	12.00	M12	29.70	53.75	73.70	19.35	1.25t
SS-580-16LR	35.40	14.00	M16	34.50	62.70	89.50	26.00	2.00t



Drop Forged 316 Stainless Steel

LOAD RATED EYE BOLTS AISI 316

CODE	A mm	C mm	D mm	D2 mm	H mm	L mm	L1 mm	WORKING LOAD LIMIT
SS-580-12120LR	30.00	12.00	M12	29.70	53.75	73.70	120	1.25t
SS-580-16120LR	35.40	14.00	M16	34.45	62.70	89.50	120	2.00t
SS-580-20120LR	39.0	15.00	M20	39.90	70.90	194.20	120	2.75t



LOAD RATED DETAILS FOR SS-582 EYE BOLT

CODE	1	2	3	4
	W.L.L. (t)	W.L.L. (t)	W.L.L. (t)	W.L.L. (t)
SS-580-12LR	1.25	0.90	0.25	0.20
SS-580-16LR	2.00	1.00	0.35	0.25
SS-580-12120LR	1.25	0.90	0.25	0.20
SS-580-16120LR	2.00	1.00	0.35	0.25